

Scaled data based on original data using
LM-79-08 Approved Method: Electrical and Photometric Measurements of Solid-State
Lighting Products

Test Report Prepared for
Cooper Lighting Solutions
(formerly Eaton)

Brand: STREETWORKS

Report Number: P571659

Luminaire Tested: **UFLD-CA2-180-760-U-66-TS2_UFLD**

Issue Date: 9/21/2021

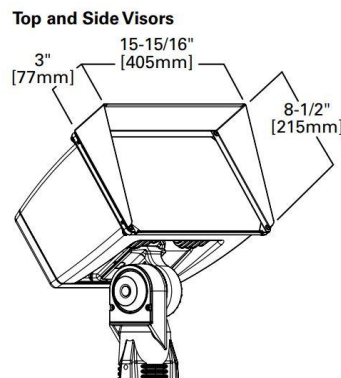
Test Information

Test Method: LM-79-08
Report Number: P571659
TEST IS SCALED FROM IESNA LM-79-08 TEST DATA (G2-2109-378-4)
Test Lab: COOPER LIGHTING SOLUTIONS
Issue Date: 9/21/2021
Manufacturer: COOPER LIGHTING SOLUTIONS (FORMERLY EATON)
Product Line: STREETWORKS
Catalog Number: UFLD-CA2-180-760-U-66-TS2_UFLD
Description: FLOOD LIGHT, 6x6 OPTIC WITH TOP AND SIDE VISOR
Light Source: (2) 5700K CCT, 70 CRI LEDS
Ballast/Driver: -

Summary

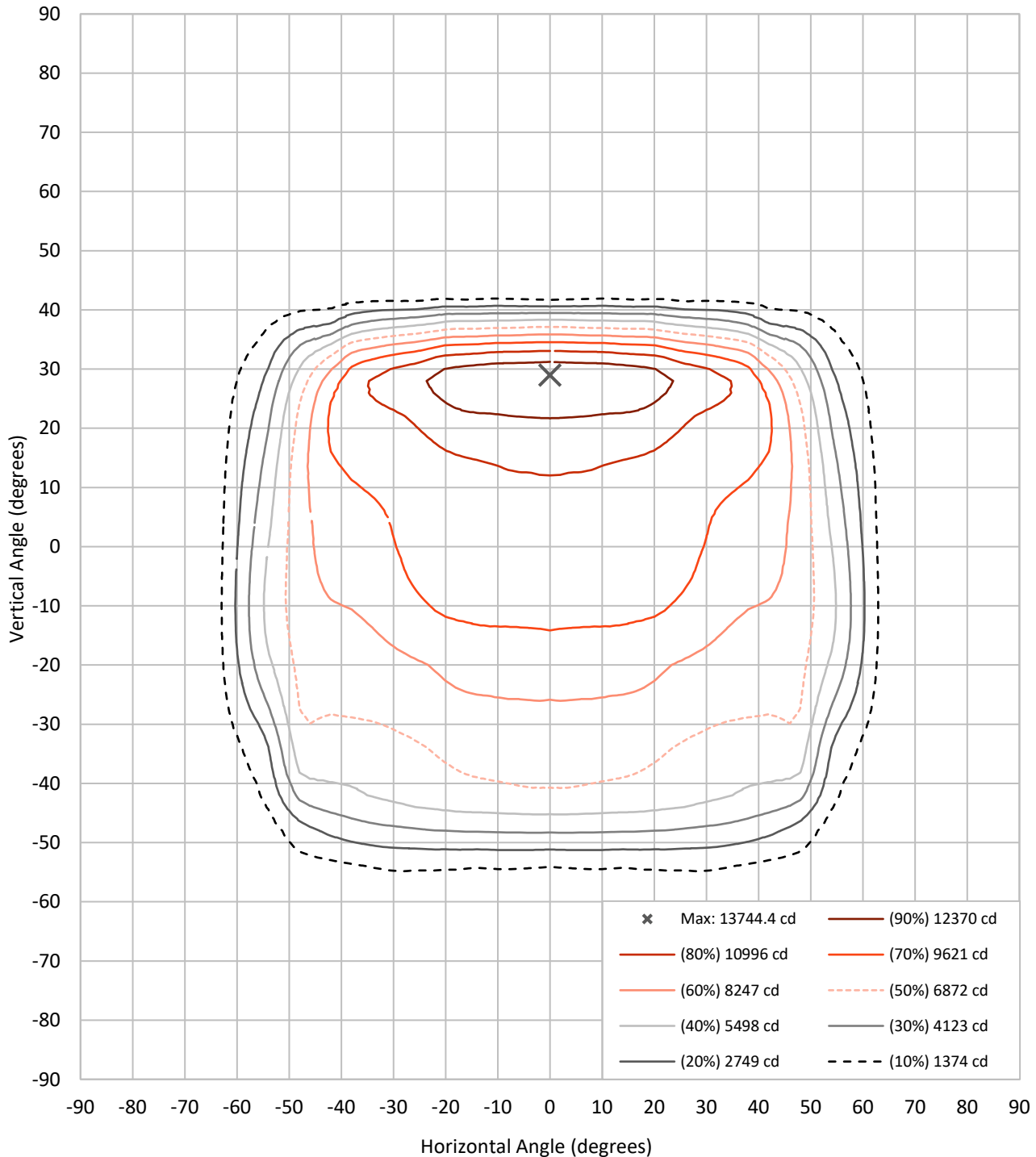
Lumens per Lamp:	N/A	NEMA Type:	6H x 5V
Luminaire Lumens:	22716 lumens	Max Intensity:	13744.4 candela
Efficiency:	N/A	Max Intensity Angle:	0°H x 29°V
Efficacy:	124.3 lumens/watt		
Luminous Opening:	Rectangular (W 1.25' x L: 0.67' x H: 0')		
Beam Angle (50%):	91.9°H x 77.9°V	Field Angle (10%):	119.5°H x 95.8°V
Beam Lumens:	17488.4 lumens	Field Lumens:	22135.9 lumens
Beam Efficiency:	77.0%	Field Efficiency:	97.4%

Input Watts (W): 182.8
Input Voltage (V): 120
Input Current (A_{in}): NR
Voltage Rise (V): NR
Power Factor: NR
Total Harmonic Distortion (THDi): NR
Frequency (hertz): 60
Stabilization Time: NR
Operation Time: NR
Ambient Temperature (°C): NR
Test Distance: 25 FT



REPORT NUMBER: P571659
CATALOG NUMBER: UFLD-CA2-180-760-U-66-TS2_UFLD

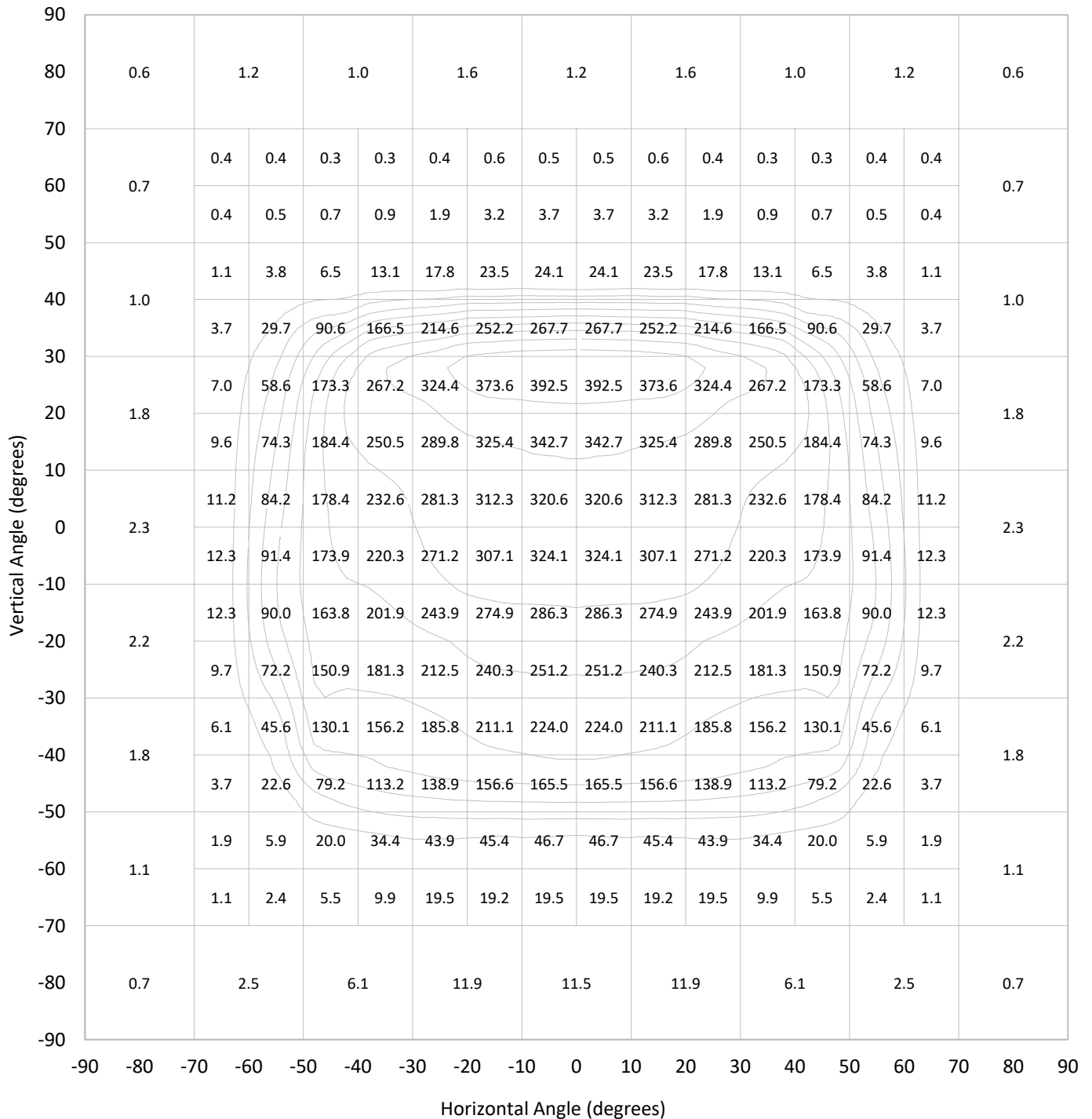
Iso-Candela Plot





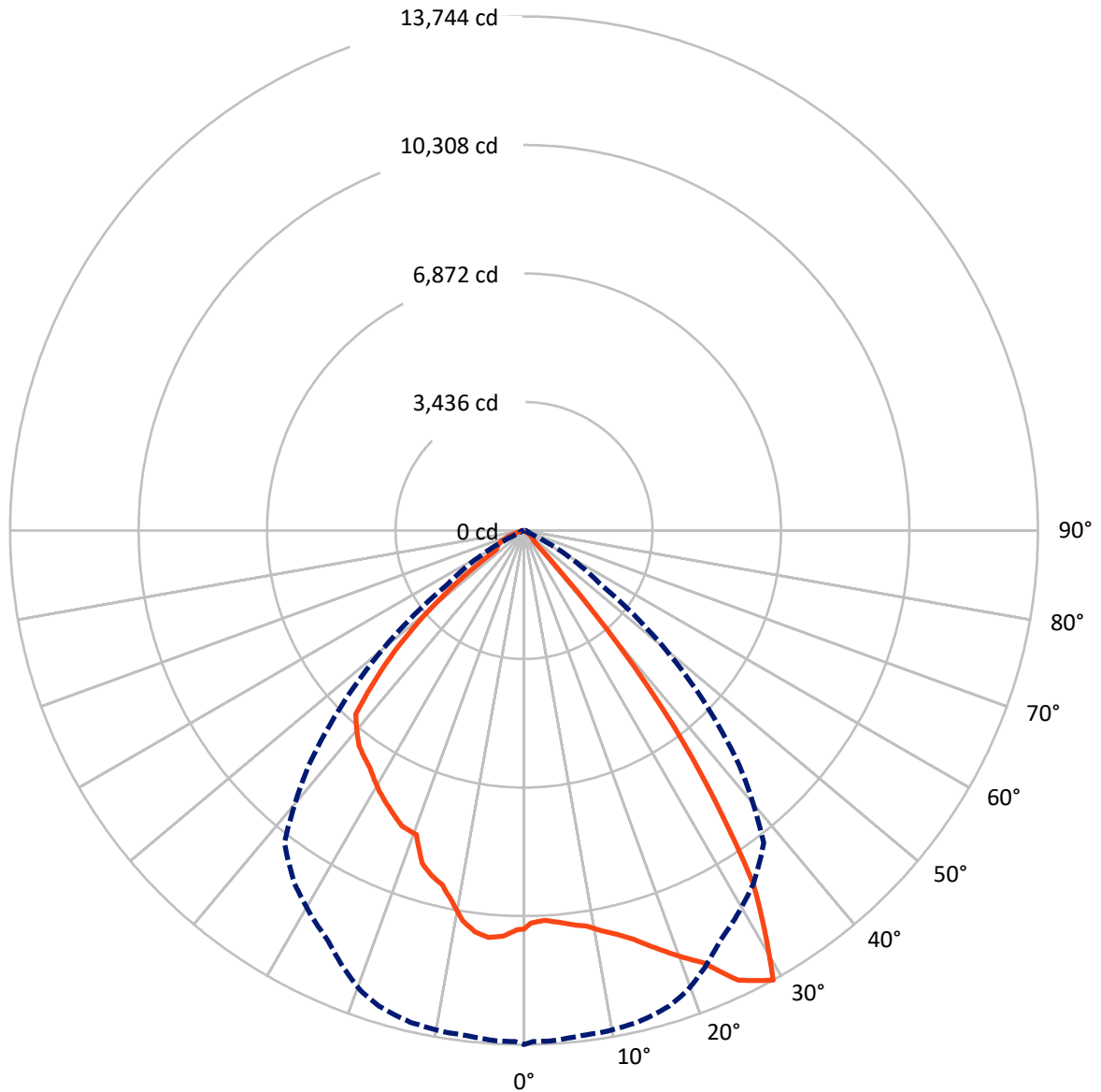
REPORT NUMBER: P571659
 CATALOG NUMBER: UFLD-CA2-180-760-U-66-TS2_UFLD

Lumen Table



REPORT NUMBER: P571659
CATALOG NUMBER: UFLD-CA2-180-760-U-66-TS2_UFLD

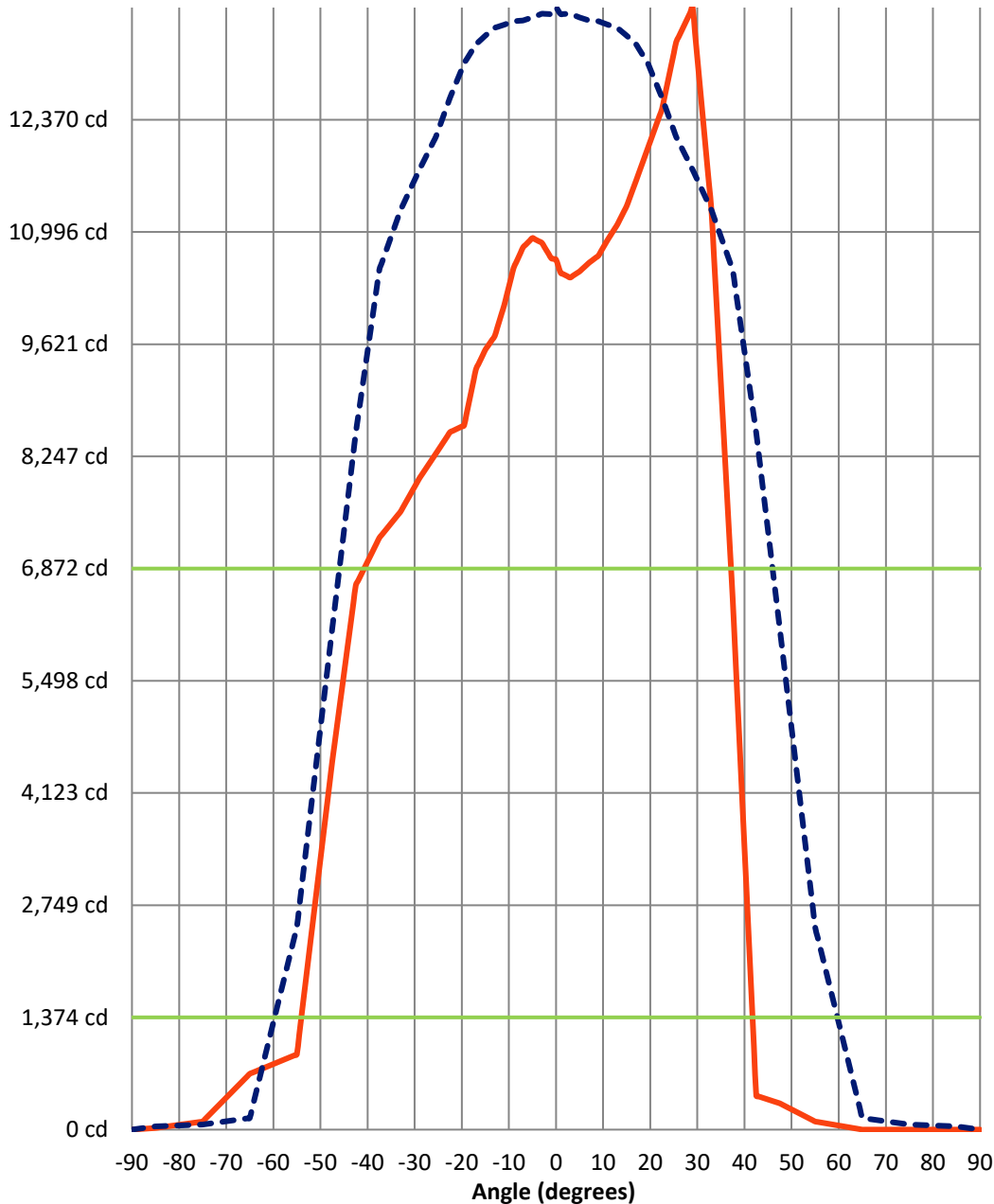
Luminous Intensity Polar Plot



— Vertical Distribution Through 0-Deg - - - Horizontal Distribution Through 29-Deg

REPORT NUMBER: P571659
 CATALOG NUMBER: UFLD-CA2-180-760-U-66-TS2_UFLD

Luminous Intensity Plot



Beam:
 H Angle: 91.9°
 V Angle: 77.9°
 Lumens: 17488.4
 Efficiency: 77.0%

Field:
 H Angle: 119.5°
 V Angle: 95.8°
 Lumens: 22135.9
 Efficiency: 97.4%

Spill:
 Lumens: 580.1
 Efficiency: 2.6%

— Vertical Distribution through 0-Deg
 - - Horizontal Distribution through 29-Deg



REPORT NUMBER: P571659
 CATALOG NUMBER: UFLD-CA2-180-760-U-66-TS2_UFLD

FIELD
 BEAM

CANDELA DISTRIBUTION:

	0°	1°	3°	5°	7°	9°	11°	13°	15°	17°	19.5°
90°	0.0	0.0	0.0	0.0	0.0	0.0	0.0	0.0	0.0	0.0	0.0
85°	0.0	6.2	15.5	19.6	20.7	22.7	22.7	24.8	24.8	23.8	22.7
75°	0.0	2.1	6.2	9.3	11.4	13.4	14.5	14.5	14.5	13.4	13.4
65°	0.0	1.0	4.1	6.2	8.3	9.3	9.3	10.3	10.3	10.3	9.3
55°	99.2	102.3	100.3	99.2	99.2	97.2	93.0	86.8	79.6	80.6	75.5
47.5°	321.5	318.4	319.4	317.4	314.3	304.9	299.8	295.6	292.5	291.5	278.1
42.5°	415.6	429.0	468.3	552.0	640.9	736.0	741.2	668.8	581.0	484.8	675.0
37.5°	6501.1	6601.4	6469.0	6433.9	6259.2	6296.4	6265.4	6167.2	6160.0	6215.8	6147.6
33°	11253.1	11290.3	11221.1	11202.5	11166.3	11166.3	11127.0	10951.3	10824.1	10745.6	10720.7
29°	13744.4	13663.8	13668.9	13623.4	13586.2	13576.9	13534.5	13496.3	13400.2	13293.7	13061.1
25.5°	13320.6	13279.2	13298.9	13223.4	13210.0	13154.1	13159.3	13107.6	13037.3	12926.7	12678.6
22.5°	12502.9	12508.1	12505.0	12465.7	12451.2	12400.5	12339.6	12328.2	12322.0	12241.4	12060.5
19.5°	12024.3	11973.6	11956.0	11981.9	11938.5	11874.4	11805.1	11758.6	11702.8	11680.0	11612.9
17°	11625.3	11571.5	11595.3	11558.1	11529.1	11445.4	11372.0	11308.9	11280.0	11239.7	11141.5
15°	11313.1	11270.7	11263.5	11235.5	11257.2	11154.9	11111.5	11057.7	10998.8	10939.9	10860.3
13°	11084.6	11095.0	11077.4	11004.0	11037.1	10955.4	10901.6	10833.4	10783.8	10730.1	10685.6
11°	10902.7	10916.1	10845.8	10842.7	10858.2	10751.8	10736.3	10656.7	10628.7	10633.9	10515.0
9°	10705.2	10735.2	10760.0	10726.9	10703.2	10660.8	10636.0	10607.0	10554.3	10562.6	10532.6
7°	10617.4	10592.6	10586.4	10633.9	10596.7	10556.4	10514.0	10529.5	10539.8	10568.8	10532.6
5°	10511.9	10526.4	10535.7	10506.8	10501.6	10517.1	10490.2	10521.2	10530.5	10737.3	10801.4
3°	10436.5	10490.2	10462.3	10427.2	10452.0	10475.8	10531.6	10536.7	10637.0	10758.0	10793.1
1°	10494.4	10532.6	10535.7	10535.7	10560.5	10637.0	10643.2	10674.2	10747.6	10798.3	10826.2
0°	10656.7	10632.9	10647.4	10625.6	10685.6	10724.9	10730.1	10705.2	10759.0	10930.6	10930.6
-1°	10673.2	10683.5	10725.9	10737.3	10721.8	10770.4	10694.9	10701.1	10726.9	10828.3	10733.2
-3°	10862.4	10865.5	10860.3	10864.4	10839.6	10826.2	10773.5	10731.1	10670.1	10574.0	10493.3
-5°	10922.3	10929.6	10902.7	10890.3	10834.5	10744.5	10716.6	10644.3	10545.0	10437.5	10360.0
-7°	10806.5	10808.6	10721.8	10745.6	10653.6	10550.2	10478.9	10378.6	10307.3	10202.9	10125.3
-9°	10554.3	10517.1	10457.1	10438.5	10351.7	10224.6	10127.4	10051.9	10015.7	9954.8	9972.3
-11°	10097.4	10067.4	10070.5	10019.9	9953.7	9897.9	9850.4	9819.3	9797.6	9771.8	9734.6
-13°	9721.1	9705.6	9653.9	9669.5	9636.4	9647.7	9658.1	9645.7	9619.8	9585.7	9532.0
-15°	9552.6	9540.2	9517.5	9499.9	9496.8	9496.8	9492.7	9487.5	9464.8	9380.0	9297.3
-17°	9311.8	9280.8	9278.7	9273.5	9262.2	9268.4	9256.0	9234.3	9228.1	9171.2	9090.6
-19.5°	8626.4	8641.9	8639.9	8662.6	8637.8	8680.2	8695.7	8696.7	8664.7	8628.5	8561.3
-22.5°	8542.7	8495.1	8501.3	8514.8	8491.0	8481.7	8477.6	8481.7	8449.7	8407.3	8298.7
-25.5°	8280.1	8298.7	8299.8	8272.9	8277.0	8281.2	8232.6	8229.5	8197.4	8150.9	8033.1
-29°	7977.2	7988.6	7962.8	7964.8	7921.4	7902.8	7846.0	7812.9	7760.2	7729.2	7614.4
-33°	7568.9	7594.8	7571.0	7563.8	7521.4	7488.3	7440.7	7417.0	7333.2	7257.8	7172.0
-37.5°	7248.5	7219.5	7212.3	7226.8	7170.9	7152.3	7106.8	7067.6	7008.6	6935.3	6826.7
-42.5°	6665.4	6702.7	6689.2	6646.8	6623.1	6552.8	6524.9	6489.7	6467.0	6455.6	6332.6
-47.5°	4506.0	4525.6	4519.4	4505.0	4489.5	4483.3	4453.3	4429.5	4424.3	4405.7	4346.8
-55°	922.1	945.9	963.4	1006.8	1025.5	1052.3	1027.5	981.0	972.7	1069.9	1061.6
-65°	683.3	680.2	677.1	674.0	668.8	666.8	671.9	676.1	673.0	686.4	713.3
-75°	98.2	97.2	100.3	101.3	94.1	94.1	109.6	106.5	110.6	110.6	111.6
-85°	19.6	17.6	19.6	28.9	30.0	34.1	37.2	40.3	41.3	41.3	41.3
-90°	0.0	0.0	0.0	0.0	0.0	0.0	0.0	0.0	0.0	0.0	0.0



REPORT NUMBER: P571659
 CATALOG NUMBER: UFLD-CA2-180-760-U-66-TS2_UFLD

CANDELA DISTRIBUTION (continued):

	22.5°	25.5°	29°	33°	37.5°	42.5°	47.5°	55°	65°	75°	85°
90°	0.0	0.0	0.0	0.0	0.0	0.0	0.0	0.0	0.0	0.0	0.0
85°	20.7	18.6	16.5	14.5	12.4	13.4	15.5	19.6	27.9	32.0	35.1
75°	12.4	11.4	10.3	10.3	10.3	12.4	14.5	18.6	26.9	31.0	36.2
65°	9.3	8.3	7.2	7.2	7.2	9.3	14.5	19.6	27.9	32.0	36.2
55°	68.2	49.6	27.9	28.9	28.9	30.0	31.0	25.8	32.0	35.1	37.2
47.5°	236.7	167.5	101.3	79.6	79.6	69.3	60.0	45.5	58.9	38.2	37.2
42.5°	663.7	303.9	487.9	522.0	452.8	202.6	266.7	302.9	75.5	43.4	38.2
37.5°	5645.2	5405.3	5082.8	4814.1	4198.0	2649.4	2396.2	1053.4	89.9	49.6	38.2
33°	10343.4	9789.4	9519.6	8961.3	8532.4	6244.7	4819.2	1792.5	117.8	55.8	39.3
29°	12639.3	12160.7	11757.6	11262.4	10531.6	8532.4	6134.1	2479.9	141.6	62.0	39.3
25.5°	12296.1	11907.5	11516.7	11150.8	10758.0	9421.4	6943.5	2976.1	164.4	69.3	39.3
22.5°	11711.1	11286.2	10924.4	10709.4	10487.1	9712.9	7375.6	3322.4	186.1	76.5	40.3
19.5°	11266.6	10888.2	10556.4	10337.2	10317.6	9764.6	7616.5	3603.6	211.9	88.9	40.3
17°	10863.4	10552.3	10286.6	10186.3	10235.9	9630.2	7792.2	3836.1	235.7	97.2	40.3
15°	10591.5	10346.5	10131.5	10107.7	10074.7	9478.2	7923.5	4033.6	255.3	101.3	40.3
13°	10468.5	10252.5	10085.0	10062.3	9871.0	9299.4	7994.8	4214.5	270.8	104.4	40.3
11°	10324.8	10181.1	10093.3	9913.4	9645.7	9074.0	8000.0	4371.6	286.3	109.6	40.3
9°	10349.6	10162.5	10023.0	9740.8	9425.5	8960.3	8000.0	4514.3	283.2	112.7	40.3
7°	10361.0	10186.3	9897.9	9569.2	9252.9	8847.6	8020.7	4655.9	269.8	116.8	40.3
5°	10414.8	10161.5	9835.9	9434.8	9111.2	8767.0	7953.5	4800.6	264.6	119.9	40.3
3°	10417.9	10159.4	9810.0	9301.4	9012.0	8690.5	7945.2	4924.7	263.6	120.9	41.3
1°	10421.0	10149.1	9729.4	9169.1	8927.2	8652.3	7933.8	5063.2	266.7	120.9	41.3
0°	10405.5	10102.6	9695.3	9136.0	8874.5	8623.3	7947.3	5136.6	268.8	118.9	41.3
-1°	10387.9	10039.5	9611.6	9089.5	8834.2	8612.0	7932.8	5208.9	268.8	117.8	41.3
-3°	10258.7	9936.2	9533.0	9046.1	8763.9	8543.7	7879.0	5333.0	277.0	117.8	41.3
-5°	10124.3	9820.4	9449.3	8929.3	8678.1	8460.0	7893.5	5406.4	281.2	117.8	41.3
-7°	9990.9	9673.6	9331.4	8877.6	8552.0	8333.9	7855.3	5501.5	282.2	116.8	41.3
-9°	9773.9	9498.9	9135.0	8688.4	8387.6	8240.8	7841.8	5549.0	284.3	116.8	41.3
-11°	9590.9	9264.2	8935.5	8523.1	8228.4	8086.8	7777.7	5542.8	286.3	115.8	41.3
-13°	9335.6	9044.0	8745.3	8356.6	8092.0	7911.1	7712.6	5505.6	285.3	116.8	41.3
-15°	9105.0	8819.7	8518.9	8214.0	7939.0	7725.0	7615.4	5420.8	285.3	116.8	41.3
-17°	8871.4	8595.4	8313.2	8019.6	7786.0	7615.4	7543.1	5260.6	283.2	115.8	41.3
-19.5°	8348.4	8138.5	7962.8	7802.5	7606.1	7406.6	7429.4	4970.1	276.0	115.8	41.3
-22.5°	8084.8	7870.8	7691.9	7530.7	7375.6	7178.2	7309.5	4529.8	264.6	113.7	41.3
-25.5°	7846.0	7640.3	7456.2	7296.0	7190.6	7069.6	7200.9	3959.2	253.3	111.6	41.3
-29°	7441.8	7272.2	7120.3	6961.1	6876.3	6825.7	7027.3	3196.3	245.0	107.5	40.3
-33°	6992.1	6847.4	6698.5	6483.5	6392.5	6393.6	6618.9	2241.1	239.8	101.3	40.3
-37.5°	6675.8	6515.6	6293.3	6055.6	5889.1	5919.1	5964.6	1753.2	242.9	92.0	40.3
-42.5°	6168.2	6082.4	5813.7	5581.1	5277.2	4969.1	4510.1	1309.7	212.9	76.5	40.3
-47.5°	4312.7	4188.6	4074.9	3945.7	3663.5	3153.9	2410.6	517.9	190.2	60.0	40.3
-55°	1125.7	1112.3	1184.6	1089.5	892.1	665.7	579.9	198.5	143.7	51.7	40.3
-65°	775.3	805.3	632.6	420.7	212.9	180.9	282.2	107.5	78.6	45.5	39.3
-75°	108.5	97.2	76.5	80.6	84.8	79.6	72.4	44.5	44.5	41.3	38.2
-85°	40.3	38.2	37.2	36.2	34.1	32.0	32.0	33.1	37.2	40.3	38.2
-90°	0.0	0.0	0.0	0.0	0.0	0.0	0.0	0.0	0.0	0.0	0.0



REPORT NUMBER: P571659
CATALOG NUMBER: UFLD-CA2-180-760-U-66-TS2_UFLD

CANDELA DISTRIBUTION (continued):

	90°
90°	0.0
85°	0.0
75°	0.0
65°	0.0
55°	0.0
47.5°	0.0
42.5°	0.0
37.5°	0.0
33°	0.0
29°	0.0
25.5°	0.0
22.5°	0.0
19.5°	0.0
17°	0.0
15°	0.0
13°	0.0
11°	0.0
9°	0.0
7°	0.0
5°	0.0
3°	0.0
1°	0.0
0°	0.0
-1°	0.0
-3°	0.0
-5°	0.0
-7°	0.0
-9°	0.0
-11°	0.0
-13°	0.0
-15°	0.0
-17°	0.0
-19.5°	0.0
-22.5°	0.0
-25.5°	0.0
-29°	0.0
-33°	0.0
-37.5°	0.0
-42.5°	0.0
-47.5°	0.0
-55°	0.0
-65°	0.0
-75°	0.0
-85°	0.0
-90°	0.0

(END OF REPORT)